

Cabrio Armchair



Cabrio is a compact armchair of superior comfort. Its characteristic wooden legs made of oak or walnut and their insertion into the soft part of the armchair, emphasize the design which is conceived as a play of simple geometrical forms. Cabrio is a chic armchair that will serve as a beautiful accent in your interior. Due to its dimensions, comfort and characteristic design, Cabrio fits perfectly into different interiors.

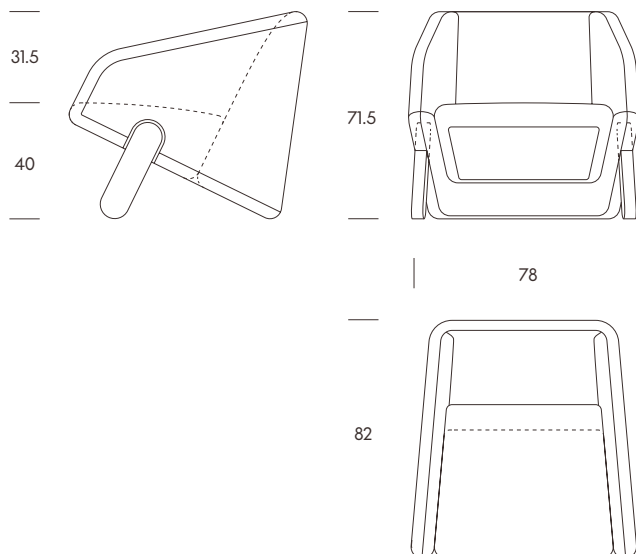
Designed by **Zoran Jedrejic**

Cabrio Armchair



Armchair CA10
78×82×71.5cm

| | |
|-------------|--------|
| Height | 71.5cm |
| Seat Height | 40cm |
| Seat Depth | 56cm |



| | |
|----------------------------|---|
| Structure | Solid Wood, Multilayer Plywood |
| Suspension | Elastic Webbing |
| Seat & Backrest | Multilayer HR Foam, Polyester Wadding |
| Legs H 24cm | Solid Wood, included Silicone Pads Oak - Natural / White Oil (O/N) Oak - Black RAL 9005 (O/B) American Walnut - Natural / Oil (W/N) |
| Upholstery | Fabric |
| Recommended Fabrics | Orsetto, Mazurka, Rico, Boemian, Yoredale, Main Line Flax, Blackwood, Lario, Pepe Plus, Nomi, Azura |

Suggested Fabric Colours



Volumen 900 –
Orsetto 01/1



Volumen 700 –
Rico 989.270



Volumen 500 –
Main Line Flax 57

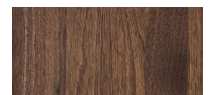
Wooden Legs



Oak - Natural /
White Oil



Oak - Black RAL 9005



American Walnut –
Natural Oil

Product information website
<https://volumen.ba/collection/cabrio/>



Made from
FSC-certified
wood and
other controlled
materials.