

Mono Armchair



Mono is an armchair of unassuming geometrical and sculptural contours and superior comfort. It is characterized by compact dimensions and a union between the modernist and midcentury design. The back cushion is made additionally soft so as to emphasize the sense of comfort attained by the overall ergonomics. The contrast between the oversized wooden legs and the body of the armchair that they penetrate, creates visual tension which makes this miniature piece of furniture exciting. Mono is a compact occasional chair that is easily combined with other furniture in any interior.

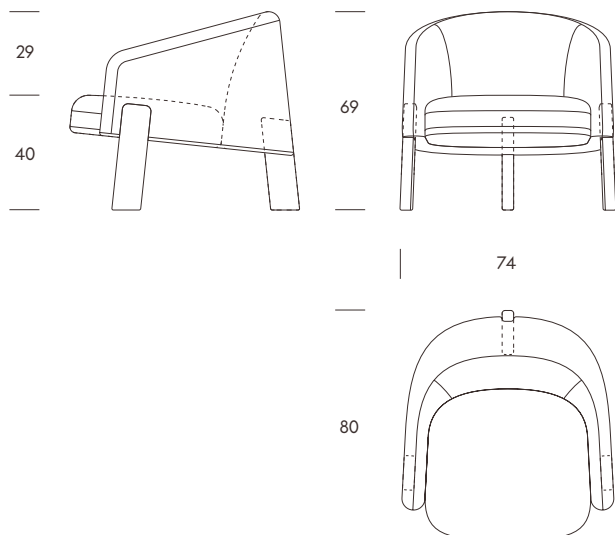
Designed by **Zoran Jedrejic**

Mono Armchair



Armchair MO10
74×80×69cm

Height	69cm
Seat Height	40cm
Seat Depth	54cm



Structure	Solid Wood, Multilayer Plywood
Suspension	Elastic Webbing
Seat & Backrest	Multilayer HR Foam, Polyester Wadding
Legs H 24cm	Solid Wood, included Silicone Pads Oak - Natural / White Oil (O/N) Oak - Black RAL 9005 (O/B) American Walnut - Natural / Oil (W/N)
Upholstery	Fabric
Recommended Fabrics	Orsetto, Mazurka, Rico, Boemian, Yoredale, Main Line Flax, Blackwood, Lario, Pepe Plus, Nomi, Azura

Suggested Fabric Colours



Volumen 900 –
Orsetto 09/23



Volumen 700 –
Rico 989.510



Volumen 500 –
Main Line Flax 17

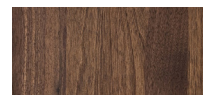
Wooden Legs



Oak – Natural /
White Oil



Oak – Black RAL 9005



American Walnut –
Natural Oil

Product information website
<https://volumen.ba/collection/mono/>



Made from
FSC-certified
wood and
other controlled
materials.