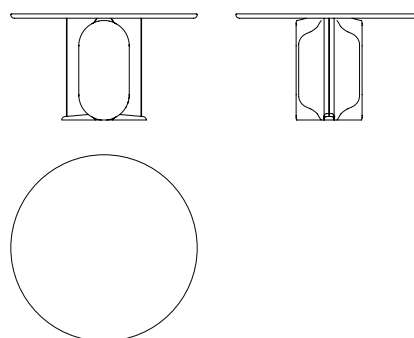


# Wherry dining table

Woak



Design: Andrea Steidl  
Construction: Dismantled  
Material: Walnut, oak or painted wood legs  
Surface treatment: Lacquer or oil  
Packing unit: 3



W	D	H	Packing (cm)	Volume (m <sup>3</sup> )	Weight (kg)	
Ø 130 cm	x	75 cm	135 / 135 / 8	0.146	48	Package 1
			68 / 13 / 10	0.009	2	Package 2 (Beam)
			76 / 41 / 45	0.140	42	Package 3 (Legs)